




Model		Chassis (since)
 Mercedes-Benz	SPRINTER PROPULSION	906 (2013)
		907 (2018)
	SPRINTER TRACTION	910 (2018)



■ TLS and TLM STEPS 601 - 901 - 1101

LEFT FRONT Door

Version	Step	Fitting kit
L1 / L2 / L3 / L4	601	Undevelopped

Comments

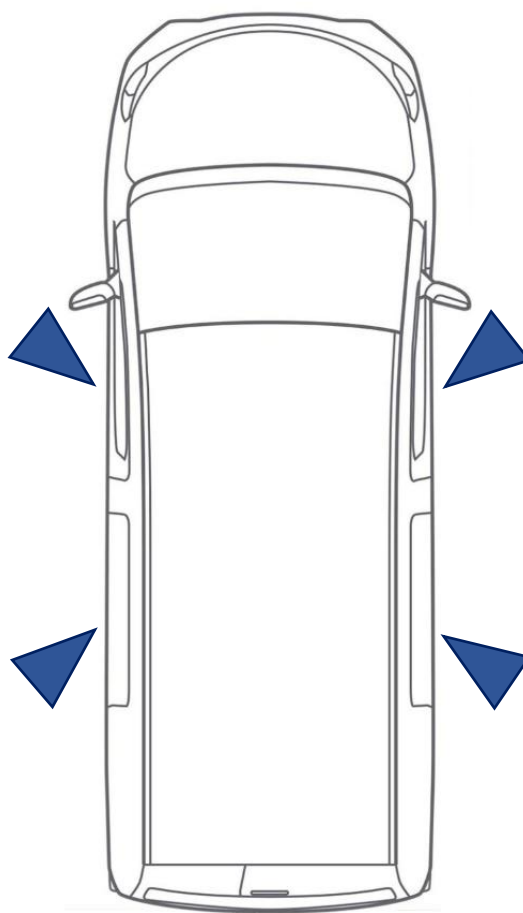
Space available for mounting the step.
Fixings to be made.

RIGHT FRONT Door

Version	Step	Fitting kit
L1 / L2	601	undevelopped

Comments

Space available for mounting the step.
Fixings to be made.



LEFT SIDE Door

Version	Step	Fitting kit	
		TRACTION	PROPULSION
L1	(601)	M0026	M0023
	901		M0022
L2 / L3 / L4	(601)	M0026	M0023
	901	M0027	M0022
	1101	M0027	M0022

Comments

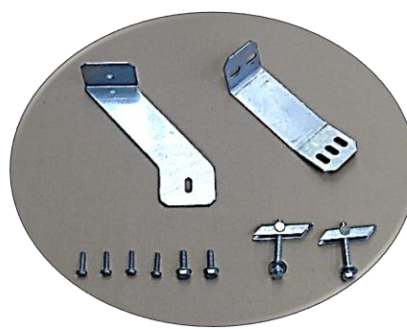
Screw and bolts mounting without drilling the chassis or floor.
Due to the door width, 901 or 1101 is preferred.

LEFT SIDE Door

Version	Step	Fitting kit	
		TRACTION	PROPULSION
L1	(601)	M0026	M0023
	901		M0022
L2 / L3 / L4	(601)	M0026	M0023
	901	M0027	M0022
	1101	M0027	M0022

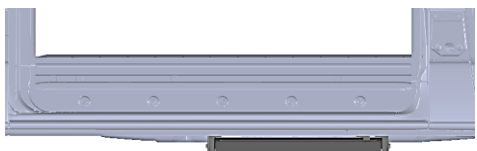
Comments

Screw and bolts mounting without drilling the chassis or floor.
Due to the door width, 901 or 1101 is preferred.




■ STEPS POSITION – RIGHT SIDE DOOR

601



LEFT SIDE DOOR :
 Symmetrical view

901



1101

